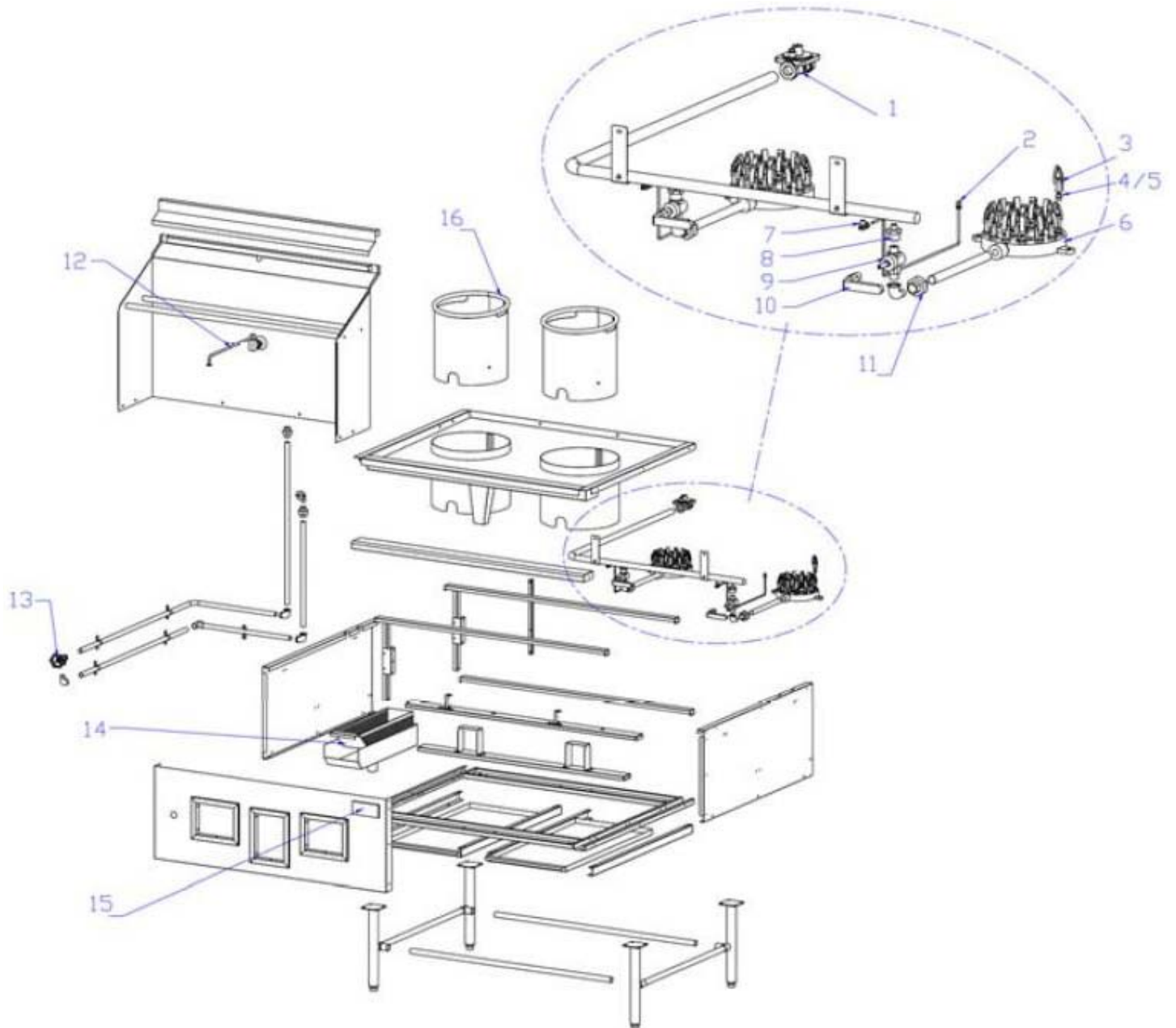


# Parts Breakdown

Model CE-CN-W2L0-NG 47726





# Parts Breakdown

---

## Model CE-CN-W2L0-NG 47726

Item No.	Description	Position	Item No.	Description	Position	Item No.	Description	Position
AO220	Regulator for 47726	1	AO226	Pilot Valve for 47726	7	AO232	Water Valve for 47726	13
AO221	Pilot Tube for 47726	2	AO227	Valve Joint for 47726	8	AO233	Tray Pan for 47726	14
AO222	Duck Mouth for 47726	3	AO228	Gas Valve for 47726	9	AO234	Nameplate for 47726	15
AO223	Orifice NAT for 47726	4	AO229	Valve Handle for 47726	10	AO235	Inside Pot Stand for 47726	16
AO224	Orifice LP for 47726	5	AO230	Joint 1/2 for 47726	11			
AO225	Burner for 47726	6	AO231	Faucet for 47726	12			